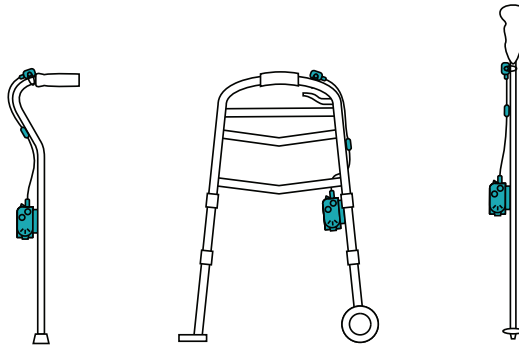


NexStride™



The NexStride™ is a gait aid that uses visual and auditory cues to increase mobility

⚠ WARNING! Read and understand all instructions. Failure to follow all instructions listed below may result in electric shock, fire and/or serious personal injury.

- The NexStride™ is not guaranteed to prevent or mitigate freezing of gait or falling. Please walk safely.
- The NexStride™ is not waterproof, do not use in the rain.
- Do not operate the NexStride™ in temperatures outside of its operating range of 32°F - 113°F (0°C - 45°C).
- Store the NexStride™ in a dry place in temperatures between -4°F - 113°F (-20°C - 45°C).
- Do not use (or discontinue using) the NexStride™ if it is defective, appears cracked, frayed, broken or otherwise damaged, or fails to operate.
- Do not attempt to open, disassemble, repair, tamper with, or modify the NexStride™. The NexStride™ is not able to be serviced by the user. Please contact De Oro Devices for any repairs.
- Prevent the NexStride™ from damage, strong impact, and force. Do not drop or step on the NexStride™.
- Avoid and prevent the NexStride™ from foreign objects as well as moisture and water at all times. If any sort of damage is suspected discontinue use of the NexStride™ immediately.
- Do not insert any foreign objects into any part of the NexStride™.

⚠ WARNING! Laser Radiation Exposure. Do not disassemble or modify the device. There are no user serviceable parts inside. Serious eye injury could result.

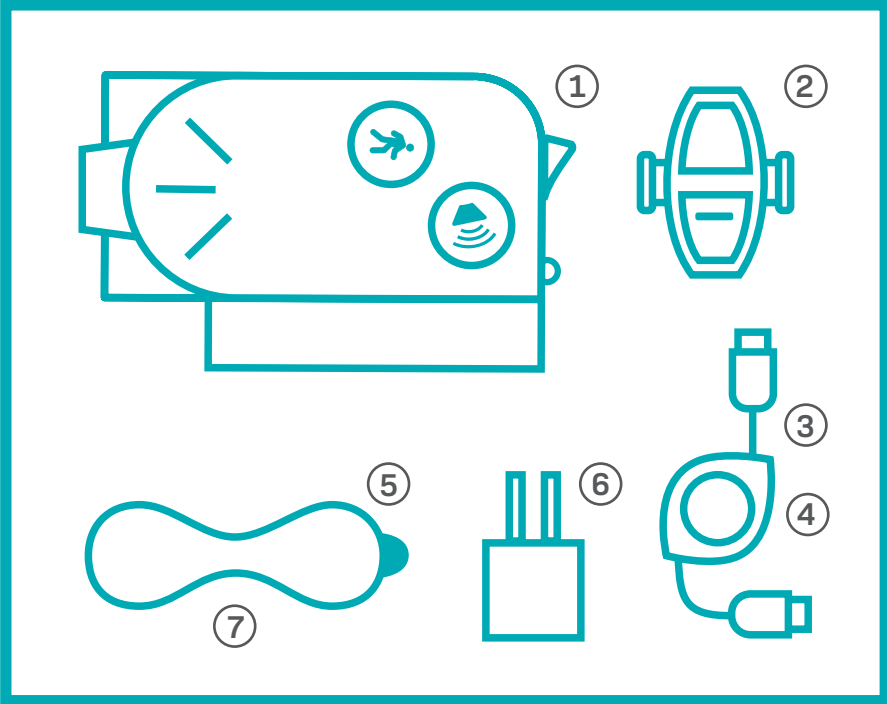
⚠ WARNING! Hazardous Radiation. Use of controls or adjustments or performance of procedures other than those specified herein may result in hazardous radiation exposure.

- Store idle laser out of reach of children and other untrained persons. Lasers are dangerous in the hands of untrained users.
- Do not use optical tools such as a telescope or transit to view the laser beam. Serious eye injury could result.
- Do not place the laser in a position which may cause anyone to intentionally or unintentionally stare into the laser beam. Serious eye injury could result.
- Turn the laser off when it is not in use. Leaving the laser on increases the risk of staring into the laser beam.
- Do not modify the NexStride™ in any way. Modifying the NexStride™ may result in hazardous laser radiation exposure.
- Do not operate the laser around children or allow children to operate the laser. Serious eye injury may result.
- Do not remove or deface warning labels. Removing labels increases the risk of exposure to radiation.

WARRANTY

De Oro Devices warrants the included device against defects in material and workmanship under normal use for one year from the date of purchase. The warranty does not apply if the device has been opened, altered, abused, or misused and will only apply if the device is defective. De Oro Devices shall make the final decision, with fairness to all parties, as to the legitimacy of the claim to this warranty. Please contact support@deorodevices.com for service or support of your NexStride™.

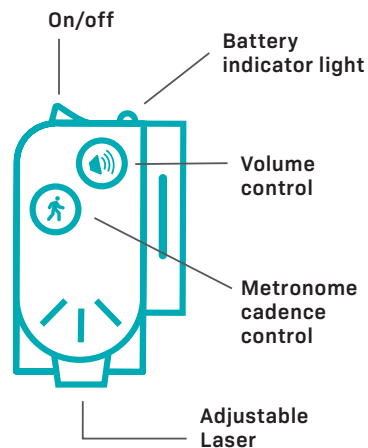
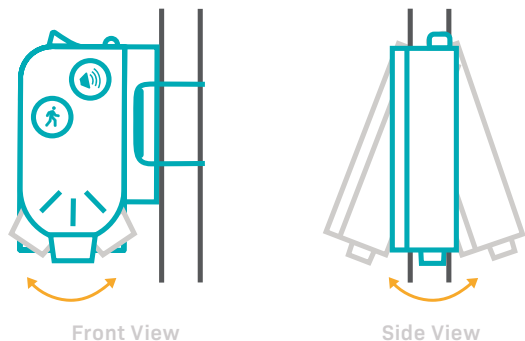
What's in the Box?



- 1. NexStride™
- 2. NexStride™ Controller
- 3. Retractable USB Cable
- 4. Magnet
- 5. Rubber Strap (x2)
- 6. Charging Adapter
- 7. Alcohol wipe

NexStride™

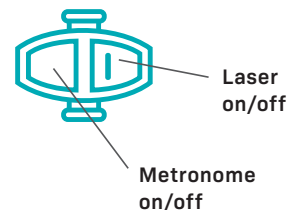
The NexStride™ rotates in multiple directions to help adjust the position of the laser line.



NexStride™ Controller

Once the main NexStride™ unit has been turned on, the visual and auditory cues can be activated using the controller.

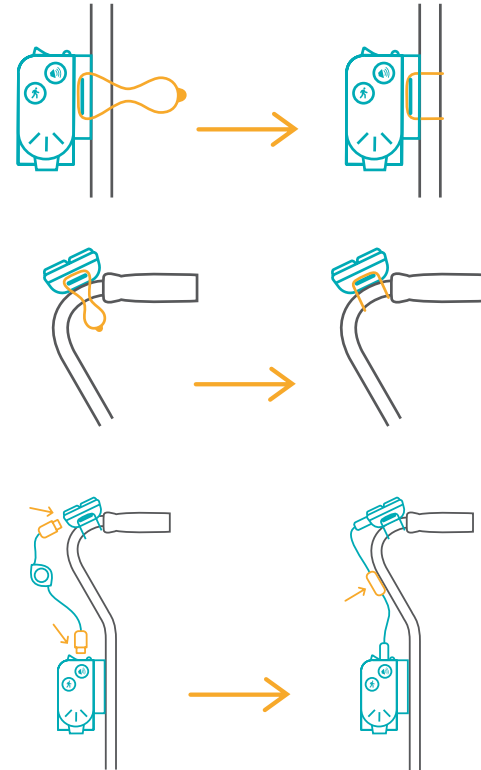
Press these buttons once to turn on the metronome and/or laser line, then again to turn off.



Attaching Your NexStride™

1. Place the back of your NexStride™ flat against the pole of your mobility aid. Then, take a strap, attach it to one of the hooks on the device, and wrap it around the pole and attach it to the other hook to secure your NexStride™.
2. Use another strap to attach the controller in the same manner. For ease of use, attach the controller near the handle of your mobility aid.
3. Connect your retractable cable to your NexStride™ and pull the cord up to connect to the controller. Then, remove the protective layer on the adhesive from the back of your magnet. Attach the magnet to the pole of your mobility aid once you have determined the best location.

Note: To ensure the best adhesion, make sure to wipe down the surface of your mobility aid with the provided alcohol wipe and let dry before sticking on the magnet.



Note:

Be sure to pull the retractable cable from both ends at once.

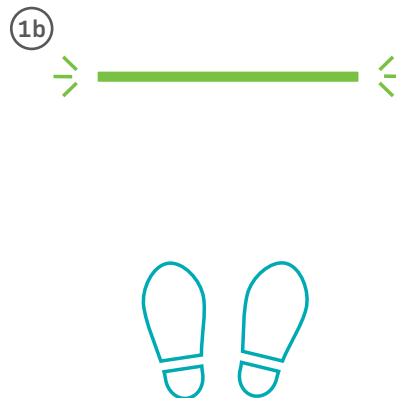
Using the Cues

The laser light and metronome are external cues that can change the way your brain activates movement. Having a goal allows you to change the intention behind your movement, which can help you regain mobility.

1. For the green laser line - position the laser **a)** in front of your feet or **b)** a few feet in front of you then take a step over/towards the line.
2. For the metronome - adjust the tempo to a comfortable walking speed (by rotating the cadence knob) and start stepping to the beat.

If you want more guidance please see our online videos or reach out to us, a physical therapist, or a movement disorder specialist that can help you best use the device.

Email us at **support@deorodevices.com**
Call us at: **(805) 242-8015**.

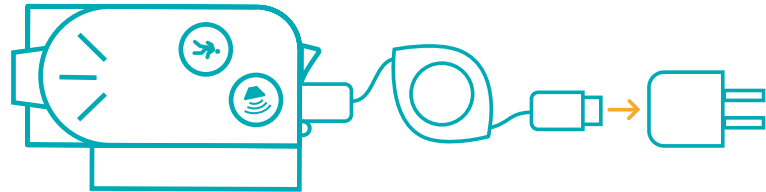


Charging Your NexStride™

Does your NexStride™ need to be charged?

Under normal conditions, the battery will last approximately 6-8 hours with the laser and metronome simultaneously on. The battery indicator light will notify you by color when the battery is low. When the laser line is turned on the indicator light will flash green no matter what the level of charge is.

- Green Light: 50% - 100% charged
- Yellow Light: 25% - 49% charged
- Red Light: 0% - 24% charged



Note: Be sure to pull the retractable cable from both ends at once.

If your NexStride™ does need charging:

1. Unplug the retractable USB cable from the controller and plug the USB cable into the charging adapter.
2. The indicator light will pulse red when charging and turn green when the device is fully charged.



Thank you for trusting De Oro Devices!

www.deorodevices.com

info@deorodevices.com

This device complies with part 15 of the FCC Rules. Operation is subject to the following two conditions: (1) This device may not cause harmful interference, and (2) this device must accept any interference received, including interference that may cause undesired operation.

NOTE: This equipment has been tested and found to comply with the limits for a Class B digital device, pursuant to part 15 of the FCC Rules. These limits are designed to provide reasonable protection against harmful interference in a residential installation. This equipment generates, uses and can radiate radio frequency energy and, if not installed and used in accordance with the instructions, may cause harmful interference to radio communications. However, there is no guarantee that interference will not occur in a particular installation. If this equipment does cause harmful interference to radio or television reception, which can be determined by turning the equipment off and on, the user is encouraged to try to correct the interference by one or more of the following measures:

- Reorient or relocate the receiving antenna.
- Increase the separation between the equipment and receiver.
- Connect the equipment into an outlet on a circuit different from that to which the receiver is connected.
- Consult the dealer or an experienced radio/TV technician for help.

Caution: changes or modifications not expressly approved by the party responsible for compliance could void the user's authority to operate the equipment.